



InGranite Recon Ltd.

Reconstituted Stone | Modern Material | Classic Style

UK info@ingranite.co.uk

RoI info@ingranite.ie

www.ingranite.co.uk

www.ingranite.ie

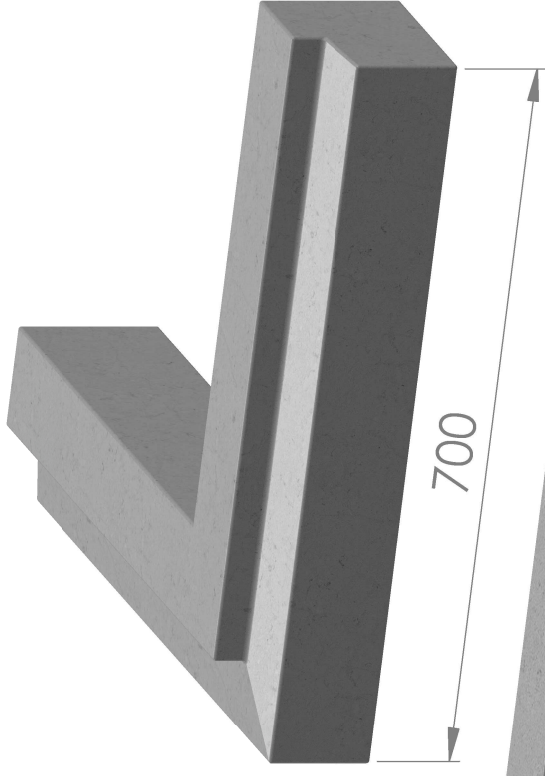
0808 2349118

057 9331462

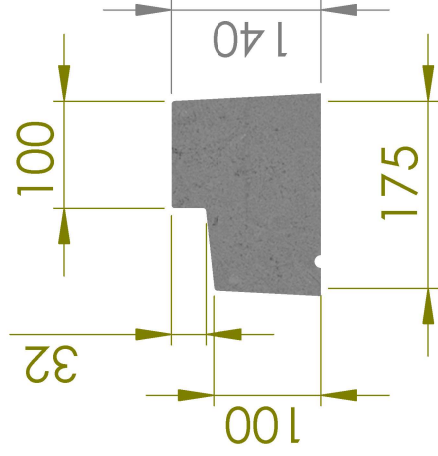
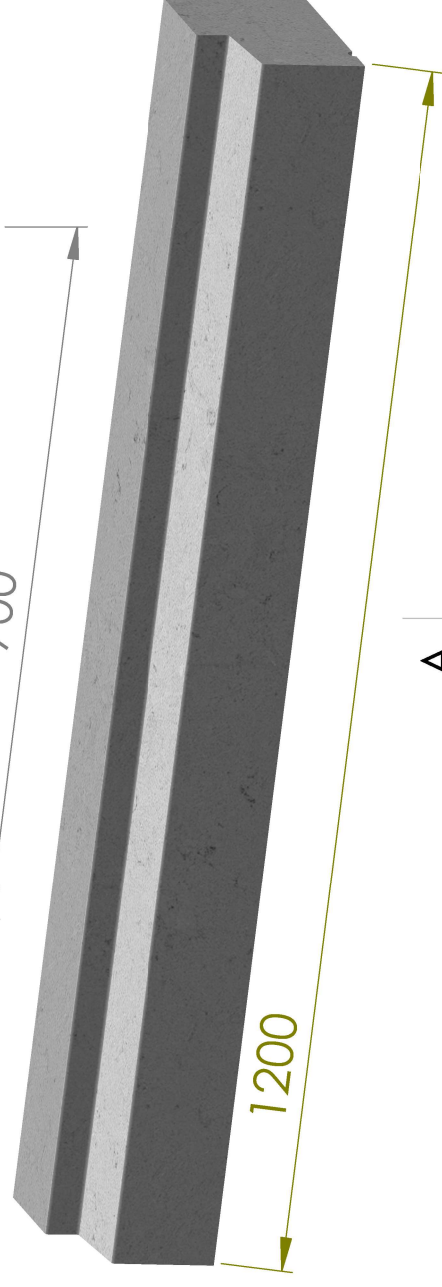
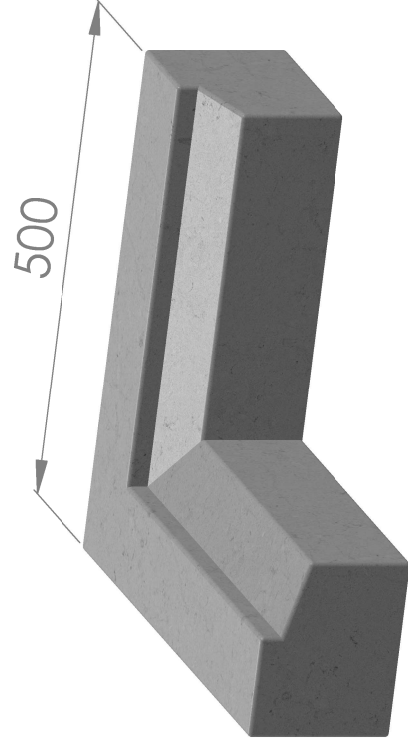
Technical specification sheet

Title: Standard string course units	
Date: 28/02/2017	Ref: SSC 1200/EX/IN
Scale: 1:10	Drawn by: InGranite
Approximate weight: 40kgs/meter	

External corner



Internal corner

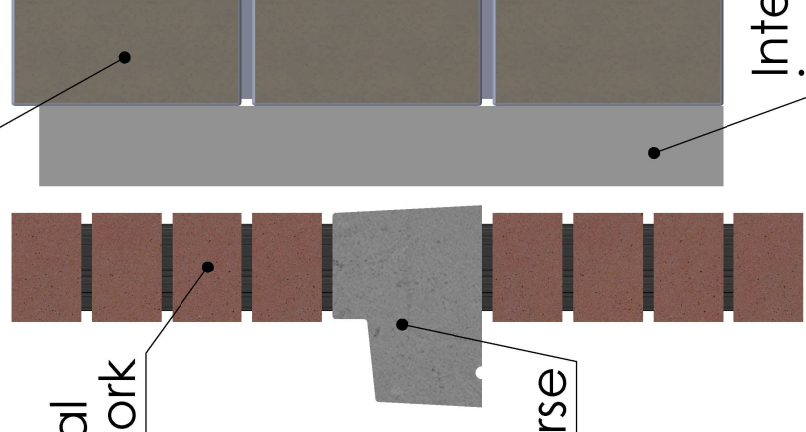


All dimensions are in millimetres. For non listed sizes please contact InGranite Recon LTD.

All vertical faces typically have a 4mm taper per 100mm of height.

The information contained in this drawing was correct at the time of going to print. Profiles, sizes and weights are given as indication only.

Internal brickwork



External brickwork

Standard string course

Internal insulation

Section A-A

