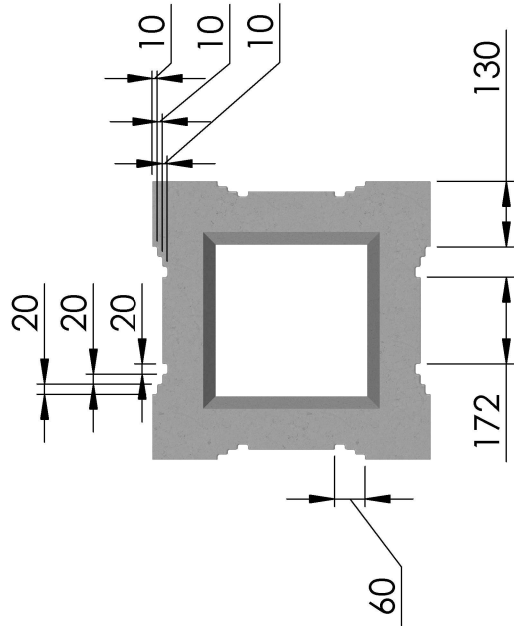




InGranite Recon Ltd.
 Reconstituted Stone | Modern Material | Classic Style
 UK info@ingranite.co.uk Rol info@ingranite.ie
 www.ingranite.co.uk www.ingranite.ie
 0808 2349118 057 9331462

Technical specification sheet

Title:	Lincoln pier B	
Date:	08/05/2018	Ref: LPB/1
Scale:	1:15	Drawn by: InGranite
Approximate weight:	139kgs	



Pier components are hollow to accommodate reinforcement

All dimensions are in millimetres. For non listed sizes please contact InGranite Recon LTD.

All vertical faces typically have a 4mm taper per 100mm of height.

The information contained in this drawing was correct at the time of going to print. Profiles, sizes and weights are given as indication only.

