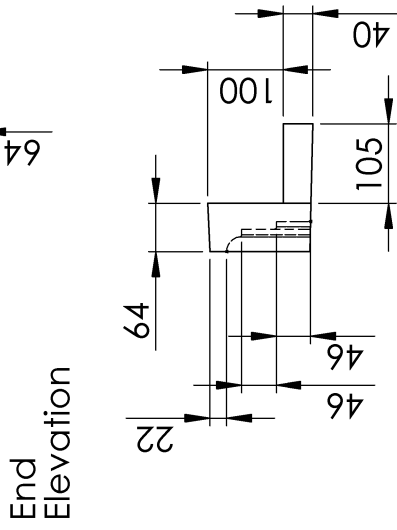
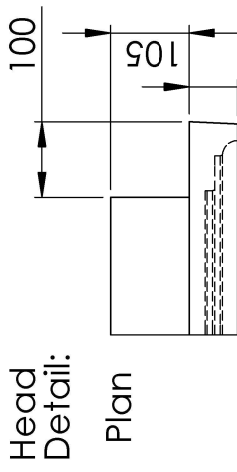




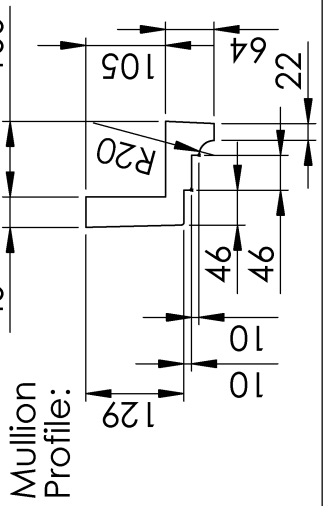
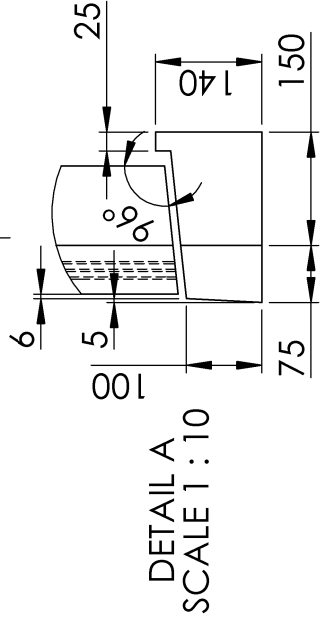
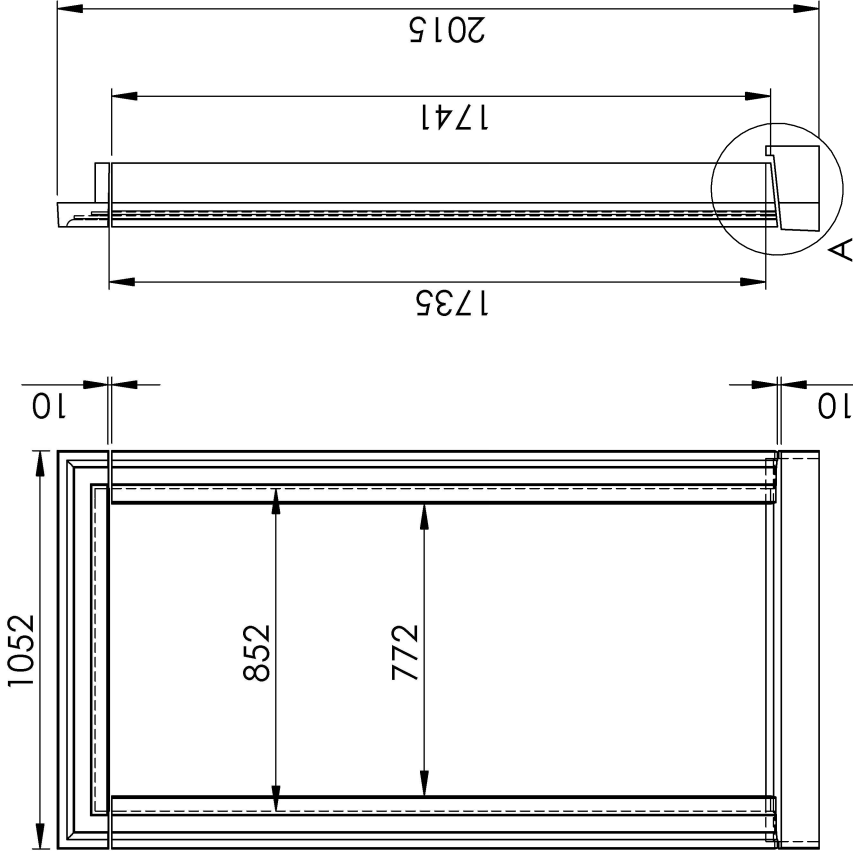
InGranite Recon Ltd.
 Reconstituted Stone | Modern Material | Classic Style
 UK info@ingranite.co.uk Rol info@ingranite.ie
 www.ingranite.co.uk www.ingranite.ie
 0808 2349118 057 9331462

Technical specification sheet	
Title:	Glanmire surround(stick on)
Date:	29/04/2019 Ref: 011 Rev 6
Scale:	1:20 Drawn by: InGranite
Approximate weight:	24kgs/meter



All dimensions are in millimetres. For non listed sizes please contact InGranite Recon LTD.

All vertical faces typically have a 4mm taper per 100mm of height. The information contained in this drawing was correct at the time of going to print. Profiles, sizes and weights are given as indication only.



Mullion to be made 50mm oversize in length to allow for site cut

