

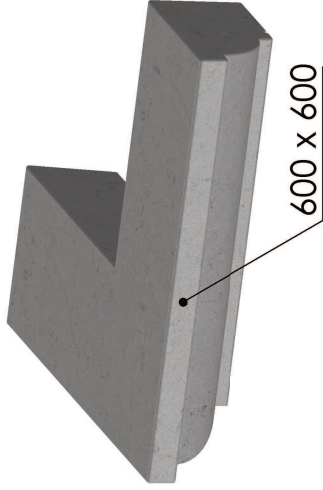


InGranite Recon Ltd.
 Reconstituted Stone | Modern Material | Classic Style
 UK info@ingranite.co.uk Rol info@ingranite.ie
 www.ingranite.co.uk www.ingranite.ie
 0808 2349118 057 9331462

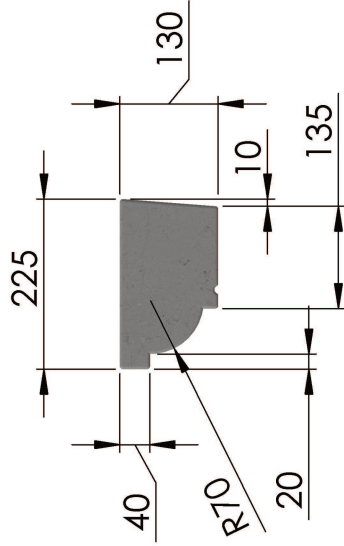
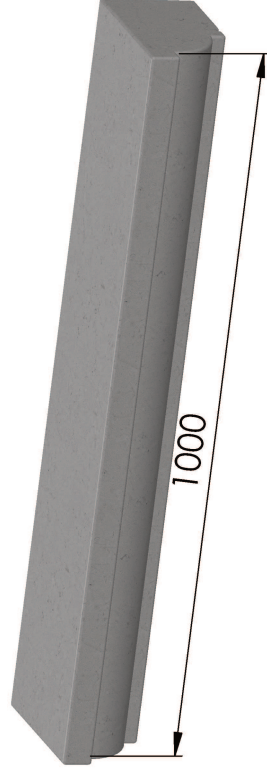
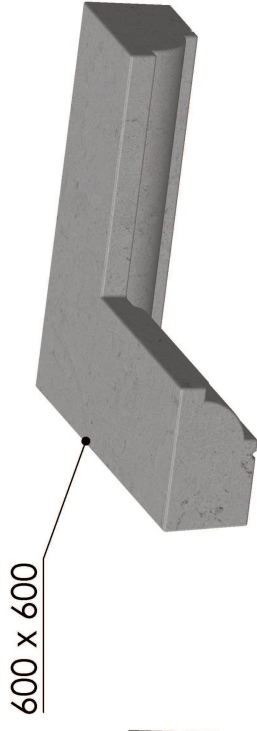
Technical specification sheet

Title: Gem string course	
Date: 28/02/2017	Ref: GSC1000
Scale: 1:10	Drawn by: InGranite
Approximate weight: 59kgs	

External corner



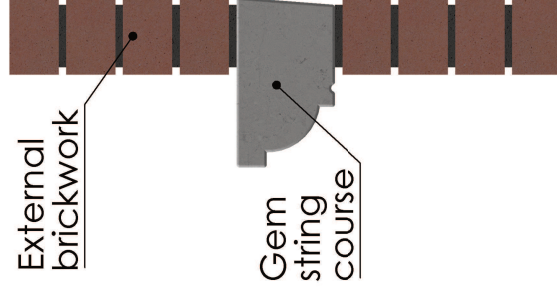
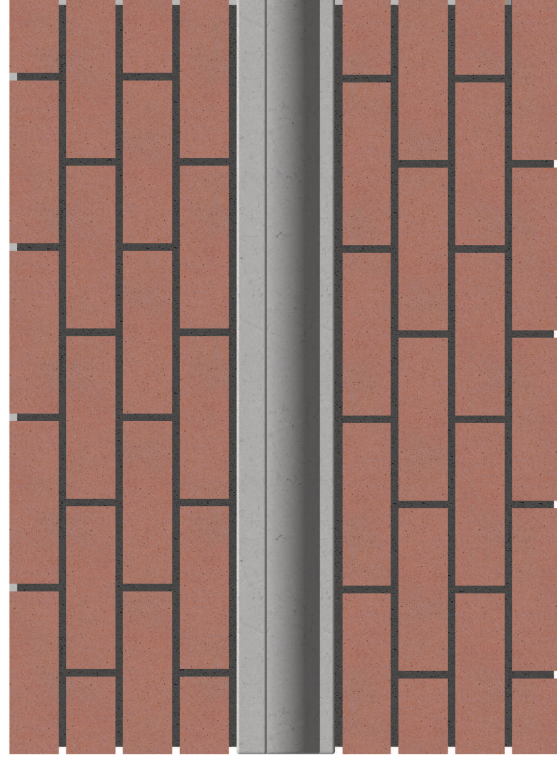
Internal corner



All dimensions are in millimetres. For non listed sizes please contact InGranite Recon LTD.

All vertical faces typically have a 4mm taper per 100mm of height.

The information contained in this drawing was correct at the time of going to print. Profiles, sizes and weights are given as indication only.



External brickwork

Gem string course

Internal block work

Internal insulation