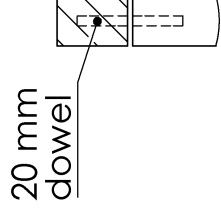
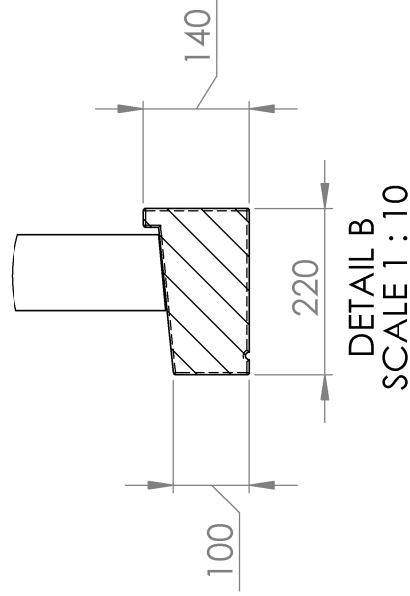




InGranite Recon Ltd.
Reconstituted Stone | Modern Material | Classic Style
UK info@ingranite.co.uk Rol info@ingranite.ie
www.ingranite.co.uk www.ingranite.ie
0808 2349118 057 9331462

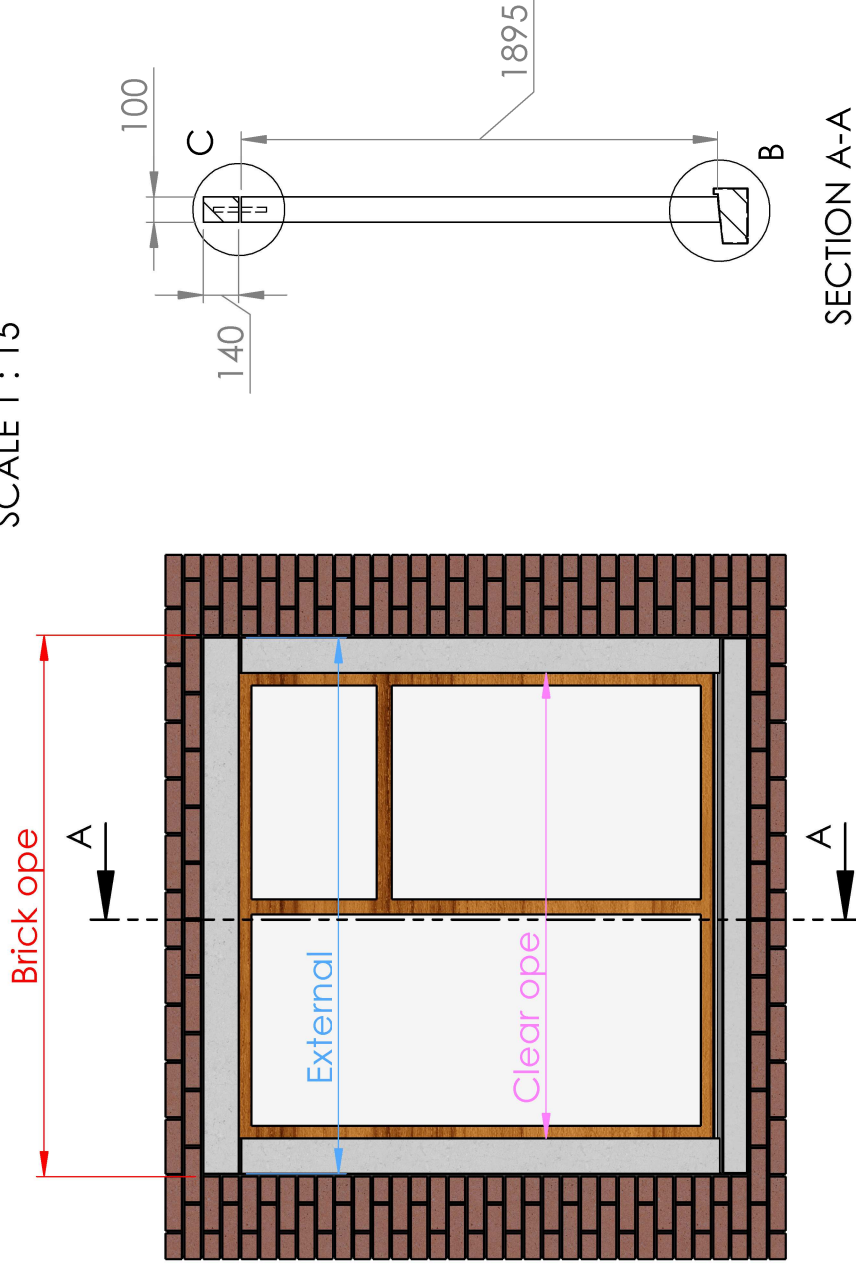
Technical specification sheet

Title:	Gandon surround		
Date:	16/11/2018	Ref:	140X100
Scale:	1:25	Drawn by:	InGranite
Approximate weight:	33.5kgs/Metre		



20 mm
dowel

DETAIL C
SCALE 1:15



SECTION A-A
SCALE 1:30

All dimensions are in millimetres. For non listed sizes please contact InGranite Recon LTD.

All vertical faces typically have a 4mm taper per 100mm of height. The information contained in this drawing was correct at the time of going to print. Profiles, sizes and weights are given as indication only.