



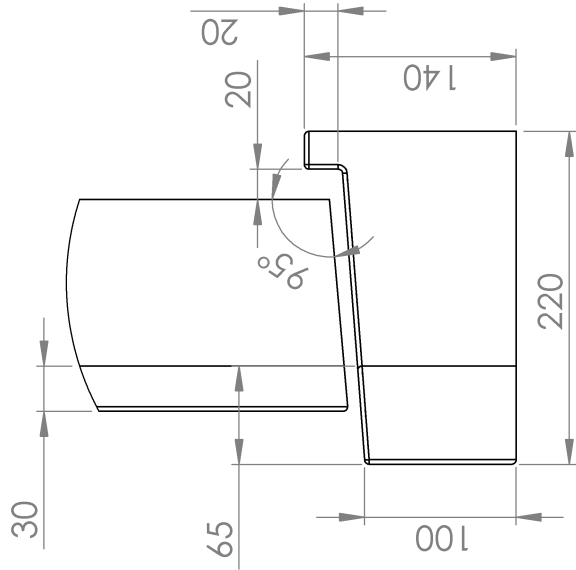
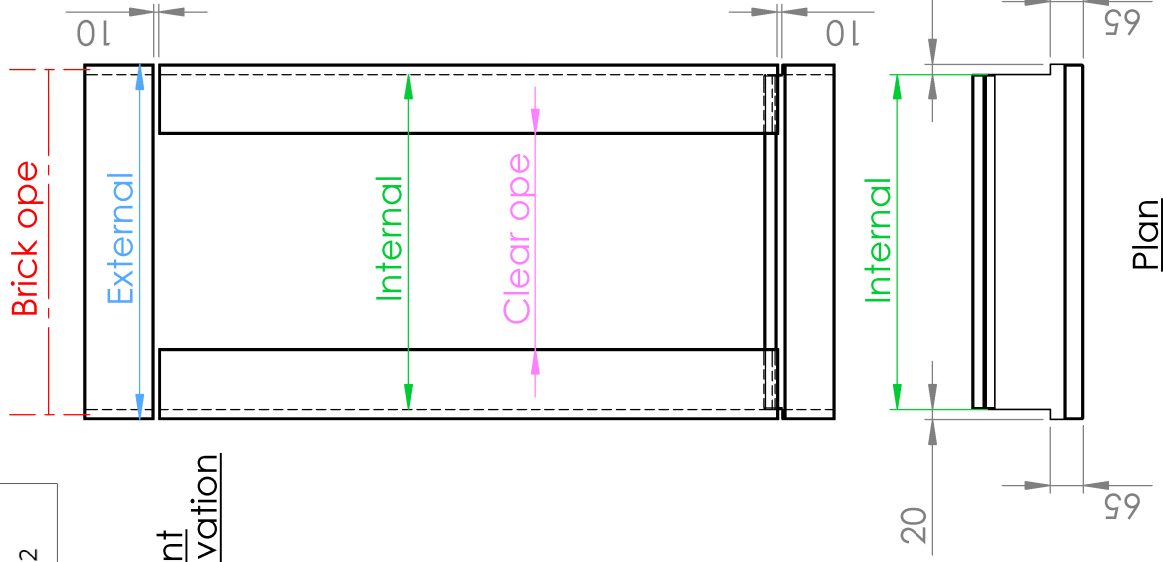
InGranite Recon Ltd.

Reconstituted Stone | Modern Material | Classic Style
 UK info@ingranite.co.uk Rol info@ingranite.ie
 www.ingranite.co.uk www.ingranite.ie
 0808 2349118 057 9331462

Technical specification sheet

Title:	Elm surround		
Date:	11/02/2019	Ref:	EWS...
Scale:	1:10	Drawn by:	InGranite
Approximate weight:	47kgs/meter		

Front elevation

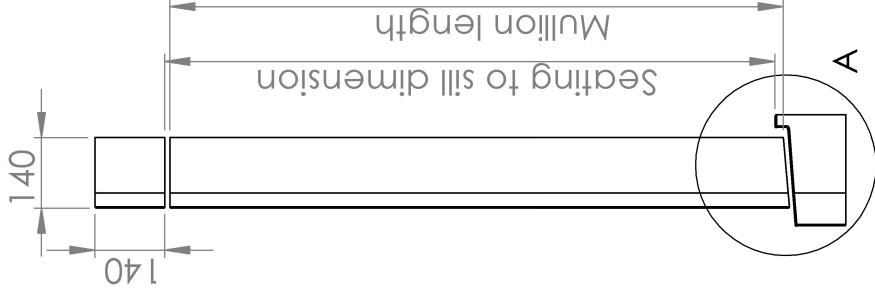


DETAIL A
SCALE 1 : 5

All dimensions are in millimetres. For non listed sizes please contact InGranite Recon LTD.

All vertical faces typically have a 4mm taper per 100mm of height. The information contained in this drawing was correct at the time of going to print. Profiles sizes and weights are given as indication only.

Side elevation



Seating to sill = Mullion length

