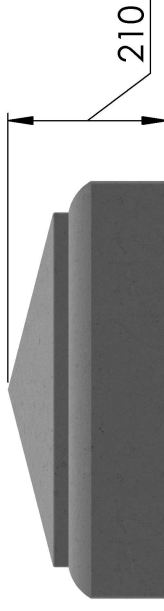
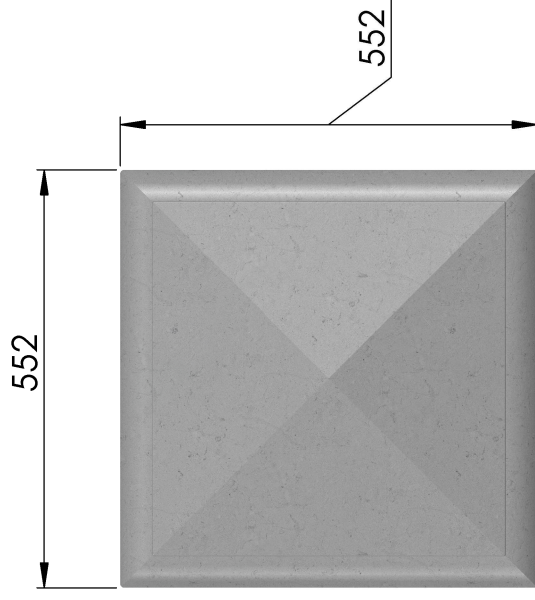
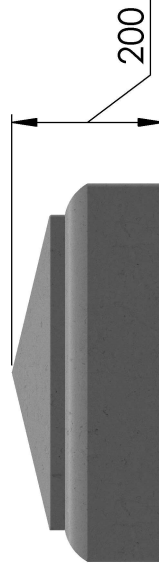
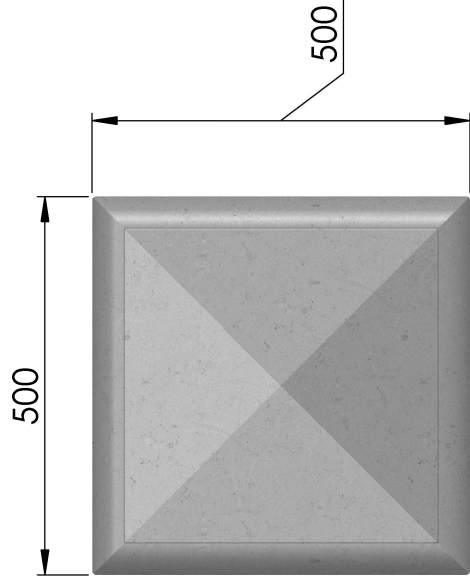
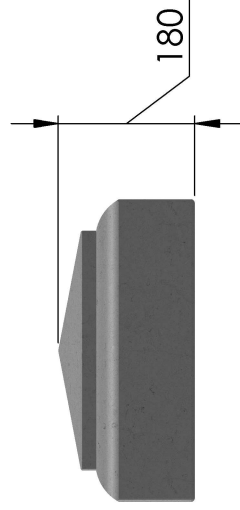
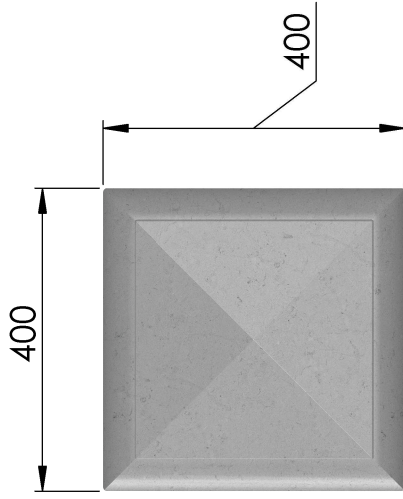




InGranite Recon Ltd.
Reconstituted Stone | Modern Material | Classic Style
UK info@ingranite.co.uk Rol info@ingranite.ie
www.ingranite.co.uk www.ingranite.ie
0808 2349118 057 9331462

Technical specification sheet

Title:	Breslin pier cap range		
Date:	24/02/2017	Ref:	BR400/500/552
Scale:	1:10	Drawn by:	InGranite
Approximate weight:	53.5/90/113kgs		



All dimensions are in millimetres. For non listed sizes please contact

InGranite Recon LTD.

All vertical faces typically have a 4mm taper per 100mm of height.

The information contained in this drawing was correct at the time of going to print. Profiles, sizes and weights are given as indication only.